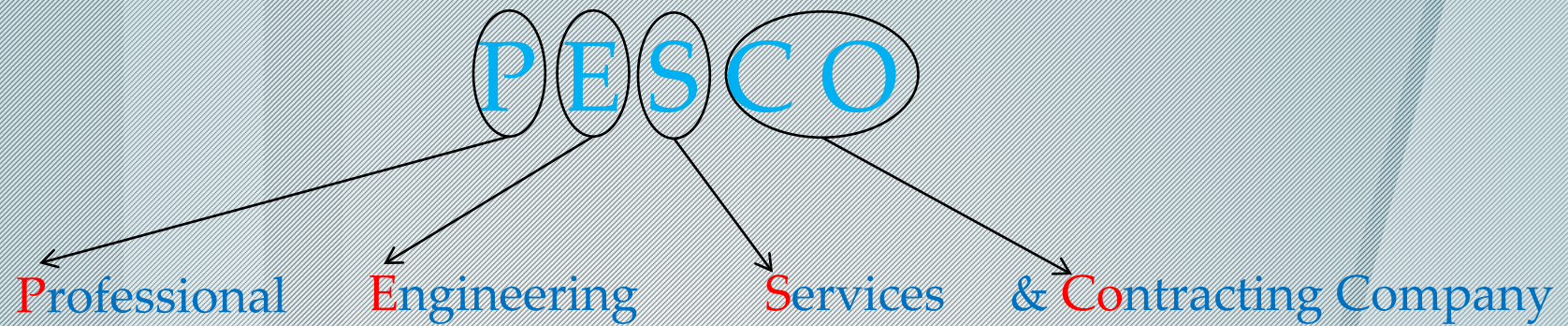


PRESENTATION FOR



Contents

- ✓ Introduction
- ✓ Organization Chart
- ✓ Portfolio
- ✓ Sample Reference Projects.
- ✓ Sample Completion Certificates
- ✓ Customers List (Sample)
- ✓ Summery

PESCO

PESCO (Professional Engineering Services & Contracting) was established in 2004.

PESCO is an EPC Electromechanical Contracting Company operating in Oil & Gas, Power Plants and Substations Fields.

PESCO team fields of expertise cover “Turn Key Solutions”, “FEED, Detailed Engineering and Engineering Studies”, “Equipment Installation, Testing, Commissioning & Start-Up”, “Control & Protection”, “Upgrade and Rehabilitation”, “Third Party Inspection”, “Maintenance”, “E&I Systems’ Trouble Shooting” and “Supply of Experts’ Manpower”.

PESCO has the depth and range of resources required to meet all challenges presented by our customers in Oil & Gas, Power Plants and Substations for Turnkey Projects as well as Field Services.

PESCO employs highly trained and qualified personnel who have extensive experience and technical knowledge gained from major manufacturers -like GE, SIEMENS, Westinghouse, ABB & Alstom as well as major projects in Oil & Gas, Power Plants and Substations.

Offices

UAE

Abu Dhabi – Mena Road, Silver Wave Tower

Tel. +971 2 679 9527

Fax +971 2 679 9547

P.O. Box 127748

Egypt

Cairo - 403 Ramsis Street, Al-Fatemyah Tower

Tel. +20 22 482 6546

Fax +20 22 484 9425

E-mails: sales@pescotnd.com

: info@pescotnd.com

www.pescotnd.com

Work History



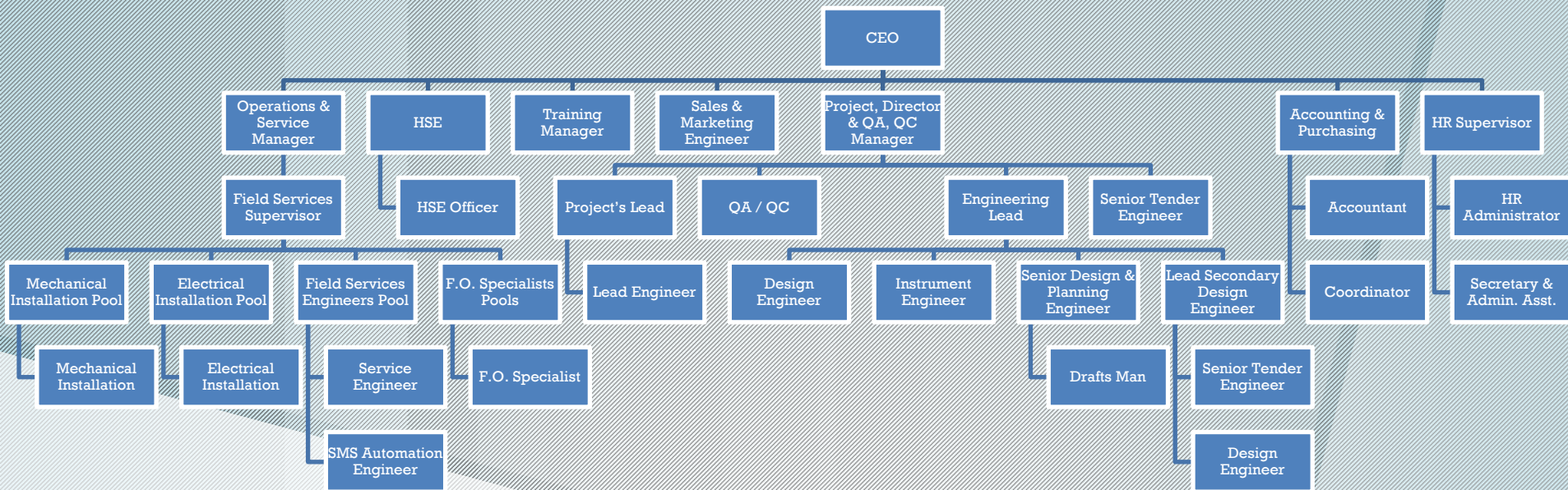
Our Vision

- To be the preferred supplier for services as well as contractor, providing innovative turn key solutions and best services using new technologies

Our Mission

- To achieve **Total Customer Satisfaction**
- Provide distinguished Services & Project performance for all the Energy and Industrial customers

Organization Chart



Our Portfolio

- Power Plants & Substations Electromechanical Turnkey Projects.
- Oil & Gas Electrical, Instrumentation, Mechanical, Civil & Process Solutions.
- Power Houses' EPC Projects.
- Installation, Testing, Commissioning and Start-Up Services.
- FEED, Engineering / Engineering Review and System Studies.
- Protection & Control Upgrade and Rehabilitation Solutions.
- Maintenance Services & Troubleshooting.
- Sub-Sea Composite /FO Cable Testing and Termination.
- Oil & Gas Fields Experts' Manpower Supply for E&I, Mechanical, Civil, Process, Studies Engineers, Commissioning & Start-Up.
- Training Services.

Turnkey Projects

Electromechanical SOW for:

- Oil & Gas
- Power Plants
- GIS and AIS Substations
- Mobile & Package substation



- E&I Systems Turnkey Solutions
- Engineering Packages
- Refurbishment and Upgrades
- Power Houses' EC Projects.

Installation Services

- Generators
- Switchgears
- Power Transformers
- Control & Protection Panels
- Motor Control Centers & RMU's
- Bus Ducts & Switch racks
- Motors & Starters



- Outdoor Installations
- HV/MV/LV Power Cables
- Cable Trays
- FO, Control & Instrument Cables Laying and Termination
- All related Mechanical & Civil works

Upgrade and Extension Services

- Protection System Upgrade & Rehabilitation
- SCMS Systems Upgrade & Replacement
- DC System Replacement



- Substation upgrade from Single bus to Double bus
- Upgrade of Air breakers/contactors to vacuum
- Retrofit of LV circuit breakers

PESCO

Instrumentation, Automation & Control Systems Installation, Setting, Testing & Calibration

- Transmitters & Gauges (Pressure, Level, Temperature and Flow).
- Valves (Control, SDV & BDV) Pressure switches
- SRV, PSV and Self Actuated Pressure Reduction Valves.
- Fire & Gas Detectors



- DCS & PCS (IA FOXBORO, Honeywell TDC-3000 & EXPERION).
- ESD & FGS (TRICONEX TMR, Honeywell FSC).
- PLC's (Allen Bradley, Siemens and Schneider)
- SCADA (AB RSVIEW32, GE Cimplicity Workbench).

Instrumentation , Automation & Control Systems

- Installation and “Testing, Commissioning and Start-Up Assistance” for :
 - ✓ Solar Turbines
 - ✓ Export Compressors (GE Nuovo Pignone & BORSIG).
 - ✓ Cryogenic Plants (CB&I)



Installation, Testing, Commissioning and Start-Up of the following packages

- PAGA Systems (GAI-Tronics).
- Instrument Air Compressors (Ingersoll-Rand & Atlas Copco).
- Flare Ignition Systems (John Zinc).
- Gas Analyzers (SIEMENS Maxum & MicroSam, EMERSON GC 700).
- Glycol Regeneration Packages (CB&I).
- Burners Management System BMS (FURNACES).

Maintenance Services & Troubleshooting

- Annual round-the-clock maintenance programs for Electrical and Instrumentation Systems in Oil & Gas, Power Plants, Substations and Critical Facilities.
- Transformers, MCC's, Switchgears, RMU's, and Motors.



- Package Substations
- Protection Relays
- State of the art test equipment required for the complete maintenance programs
- Thermo-graphic Survey

Testing, Commissioning and Start up

- Power Plants, Substations
Equipment
- Switchgear, Protection & Control
Panels, MCC's, Power & FO
Cables and Power Transformers
- Package & Mobile Substations



- Relay Settings and Testing
- Relays Calibration and Repair

Subsea Cables Testing and Termination

- Subsea Cables
- Power Cables
- Fiber Optic Cables



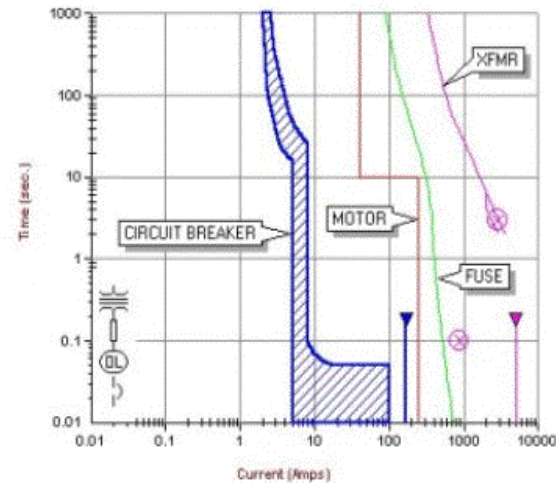
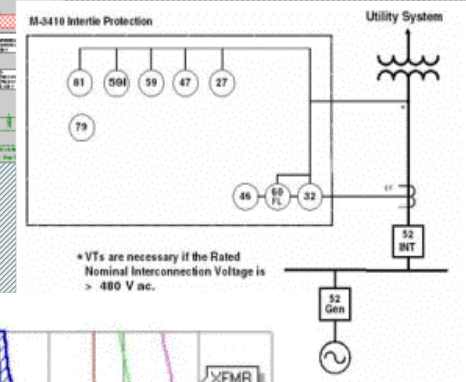
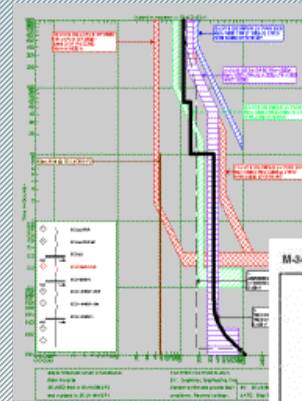
- Certified Power Cables' Splicers
- Certified FOC Technicians

Engineering & Power System Study

- FEED, Base Design & Detailed Engineering
- Secondary Engineering for Substations
- AutoCAD, ELCAD, ETAP and Adobe PDF creator
- Equipment Sizing and Selection

Power System Studies

- Load Flow & Power Factor Correction
- Short Circuit
- Relay Coordination and Settings
- Motor Starting
- Transient Stability
- Harmonics Measurements
- Failure Investigation Analysis



Projects Management

- Project Management Construction Services for Oil & Gas, Power Plants and Substations Construction Projects



Training Services

Contents

- Customized Courses (E, I&C)
- Hands On Practical



Instructors

- Qualified
- Experienced
- With Engineering Background
- Bi-lingual

Training Services

- Training course material can be customized to equipment type and customer maintenance practice.
- Training courses can be customized to customer requirements to standardize employee education.
- Training courses can be customized to fit learning objectives and budget.
- Instructors have extensive years of field experience with engineering theory and practice
- Training certifications are issued.

Customers (Sample)

- DPC Dubai Petroleum Company
- J.Ray Mc Dermott Middle East (SAUDI ARAMCO/KJO)
- SAIPEM
- Abu Dhabi Company for on Shore Petroleum Operation (ADCO)
- SAFER (Ex Yemen Hunt Oil Company)
- HUNT Oil Company
- SIEMENS
- ABB
- ADWEA -Abu Dhabi Water & Electricity Authority
(TRANSCO/ADDC/AADC)
- MITSUBISHI
- J Power System

Customers (Sample)

- GE- KSA & GE-MULTILIN Spain
- ALSTOM/AREAVA
- Lahmayer International
- AL HABTOOR - ENGINEERING
- DANWAY
- STELLER
- KHARAFI NATIONAL
- AL HABTOOR – SPECON
- Electromontaj – OHL
- ADNEC

Sample Completion Certificate

- [Completion Certificate \ SAFER Certificate](#)
- [Completion Certificate \ TRANSCO Certificate](#)
- [Completion Certificate \ SIEMENS Certificates](#)
- [Completion Certificate \ JHUNT Certificate](#)
- [Completion Certificate \ Mcdermott JRMEE- KARAN Project Certificate](#)
- [Completion Certificate \ ABB Recommendation letter](#)
- [Completion Certificate \ Mcdermott ABSF Project Certificate](#)
- [Completion Certificate \ Misubishi -Techno Park Certificate](#)

Sample Projects List

- JHUNT, Dahab New Power Plant Project.
- SAFER, LNG Project-Phase –I, Upstream Modifications' Project.
- SAFER, LNG Project-Phase –II, New Gas Plant & Power Plant Project.
- SAFER, Raydan Final Expansion and Power Plant Project.
- Saudi Aramco/J.Ray McDermott Testing and commissioning, Subsea cables, FOC Splicing and Termination, Platform top side cables Testing and Termination for Safanayiah Phase I & Phase II projects; Marjan, Karan, Khafgi / Joint Operation, Hsabah & Arabiyah, Abu Safa, Manifa & Abu Ali.
- ADCO, ASAB/BAB/BUHASA 220KV & 33KV Substations Power Upgrade.
- Dubai Petroleum, Engineering Services, Power System Study for All Fields, PLC Load Shedding Scheme Project @ South Fateh & Protective PM.
- SAFER, "EC Contract" for CPU/ KPU/Al Raja Power System Study, Protection Rehabilitation & Upgrade and Power System PM.
- SAFER – Ras Issa Storage Terminal Project - FEED & Detailed Engineering.
- TRANSCO / SIEMENS, ABU DHABI UAE, Contract N12258A Nahda 132/33KV Primary Substation Project, Installation Subcontract.
- TRANSCO, "EPC Contract" N14320 BNPP 220/33KV Mobile Substation – Additional Works.

Sample Projects List

- TRANSCO, "EPC Contract" N12315 TAWEELAH 400KV Substation, New Control Panels for Qty. 23* 400KV Bays Project.
- TRANSCO, "EPC Contract" N6892 P&C System Rehabilitation Project.
- ABB / SEWA - Erection of Five (5) bays ABB Make, 132KV GIS at Wasit power plant & Protection Rehabilitation Works.
- MITSUBISHI, DEWA 400/132 KV Technology Park S/S & Remote Ends – UAE, 300/132kV KIFAN-W S/S Testing, Commissioning & Maintenance – Kuwait, Ghazlan 380kV S/S Protection System Modification – KSA, Testing & Commissioning of ABB & Siemens Relays – Kotmal – Sirilanka.
- VATECH / SIEMENS AG, Installation, Testing & Commissioning for 400kV SAMRA S/S – Jordan, 132KV W13 & W17 Substation Remote End Works - Abu Dhabi, AQABA S/S modifications' works - Jordan, "W59, E4 & E11" S/S's single to double bus bar upgrade project with all the relevant Primary and secondary required modifications.
- GE KSA/ SCECO Testing and Commissioning of "Al-Safa 110/13.8kV S/S - Jeddah", "Saudi City 110/13.8KV S/S –Jeddah", "Al-Taif 380/110KV -Al-Taif", "Khayber 110/33/13.8KV –Khayber". (2004/2005 – 2.1M)
- TRANSCO / ADDC / Electromontaj, Installation Subcontract -N12380 Madinat Zayed 33KV OHL to Water P/P Station – Related S/S Works.

Summery

- **PESCO** can support Oil & Gas, Power Plants and Substations' customers in all kind of Turn Key, Upgrade and Rehabilitation projects that covers:
 - Complete project SOW on a turn key basis covering engineering, procurement , installation testing and commissioning.
 - FEED, Detailed Engineering / Engineering Review, Studies, Installation, Testing, Process, Commissioning, Start-Up, Control & Protection Upgrade, Third Party Inspection & Maintenance.
 - Supply of Experts' Manpower.
 - Complete filed service works in case of equipment are supplied by the customer; the same will cover technical support, installation, testing, commissioning, start-up and maintenance.

**PESCO has full capability in Project Management – Engineering
– Procurement - Construction & Commissioning**

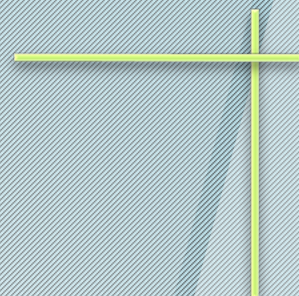
Our Team of Experts can help you with any of your challenges.

**We are able to Understand your requirements
& Committed to deliver.**

**We combine our Capabilities and our experience to meet your
Expectations**

We work with HSE & Quality first in mind

We work with you to bring your projects to Life on Time



Thank You

